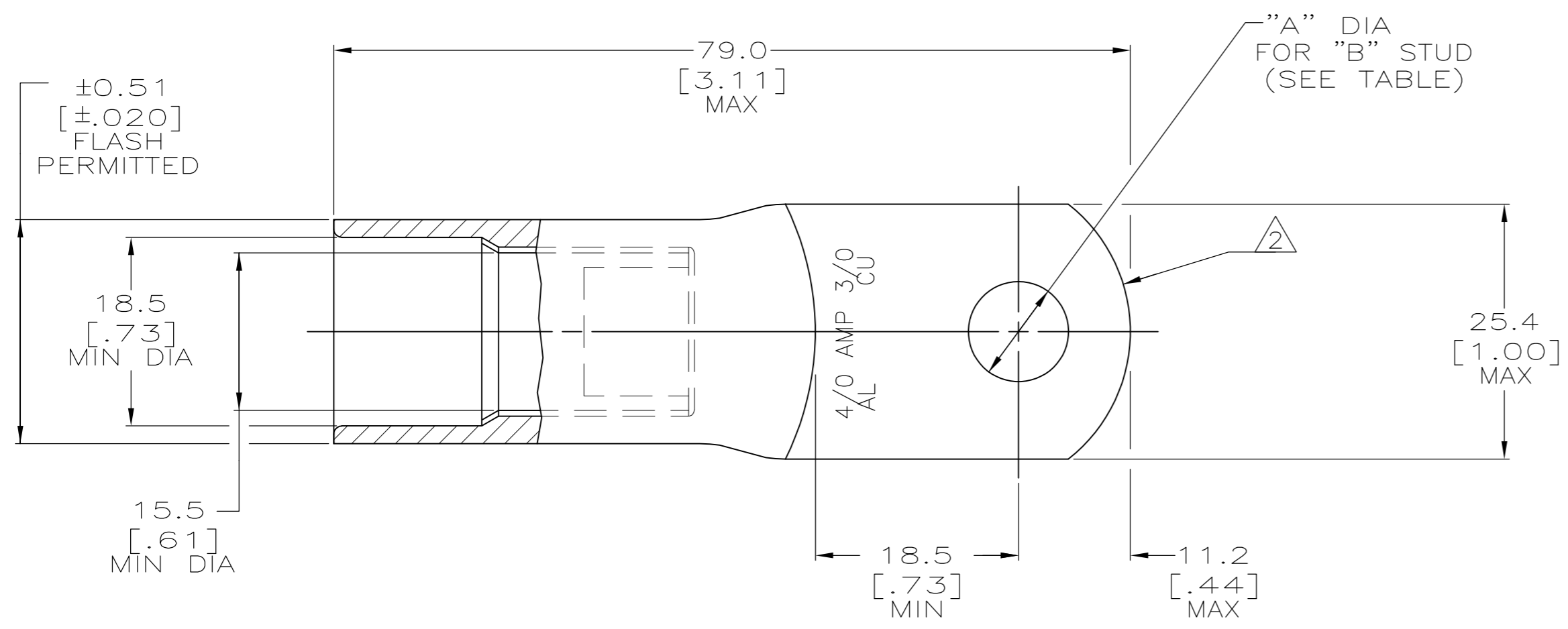
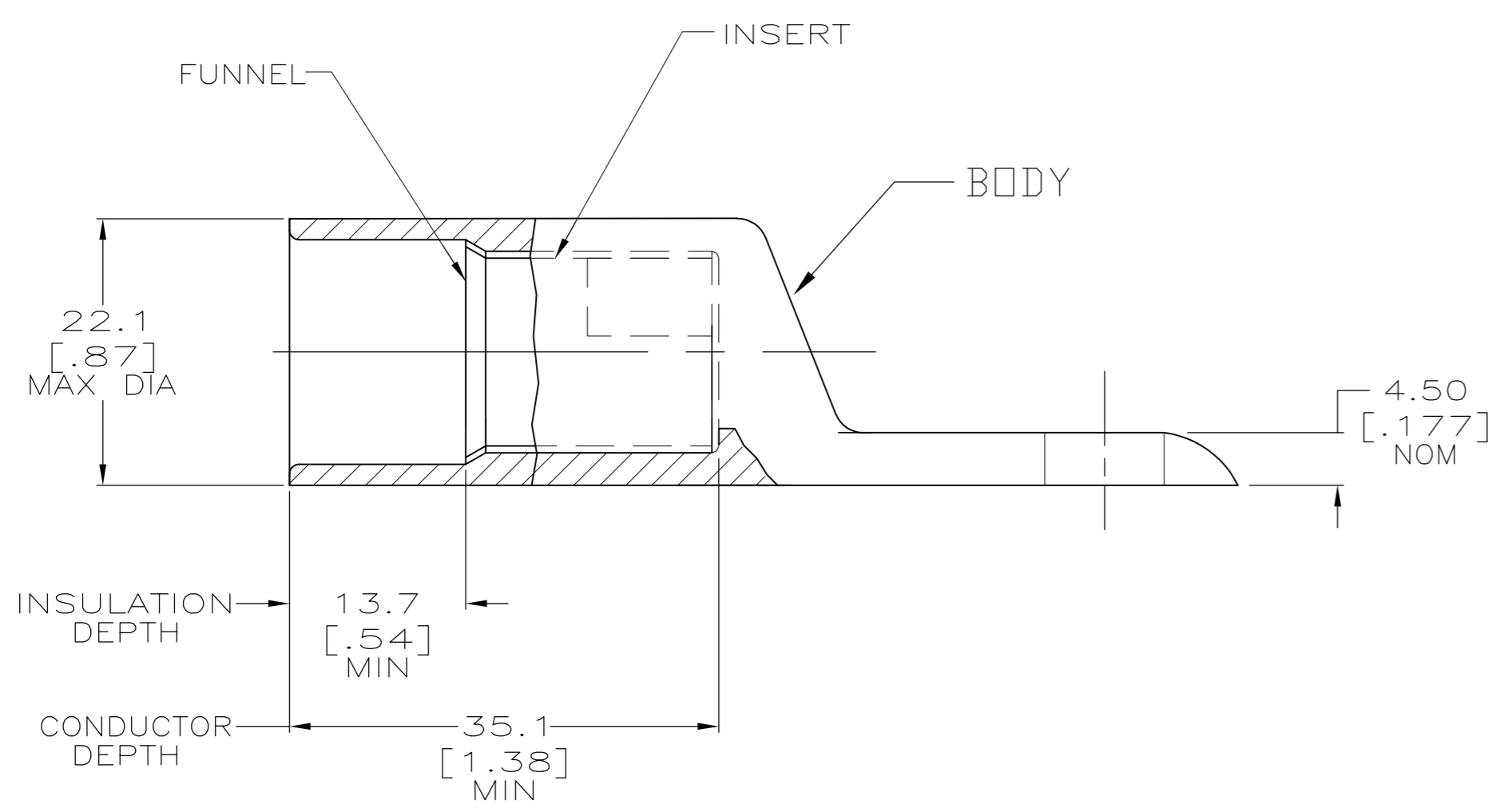


THIS DRAWING IS UNPUBLISHED. RELEASED FOR PUBLICATION  
 © COPYRIGHT BY TYCO ELECTRONICS CORPORATION. ALL RIGHTS RESERVED.

LOC	DIST	REVISIONS					
		P	LTR	DESCRIPTION	DATE	DWN	APVD
G	86	F		REV PER ECR 08-005023	27FEB08	JR	MS



- 1 WIRE INSULATION: 14.98[.590] - 17.27[.680] DIA
- 2 THE TONGUE RADIUS FEATURE IS NOT A TOOLING CONTROLLED DIMENSION AND MAY NOT BE A TRUE RADIUS.



"B" STUD	"A" DIA	MATERIAL & FINISH	PART NO
5/16	8.33±0.13 DIA [.328±.005]	BODY: COPPER ASTM-B187 ANNEALED TIN PL 0.00381[.000150] MIN THK PER MIL-T-10727 INSERT & FUNNEL: BRASS ASTM B36 NICKEL PL SAE AMS QQ-N-290A, DATED JULY 2000, 0.00254 [.000100] MIN THK	55995-2
3/8	9.91±0.13 DIA [.390±.005]	BODY: COPPER ASTM-B187 ANNEALED TIN PL 0.00381[.000150] MIN THK PER MIL-T-10727 INSERT & FUNNEL: BRASS ASTM B36 NICKEL PL SAE AMS QQ-N-290A, DATED JULY 2000, 0.00254 [.000100] MIN THK	55995-1

THIS DRAWING IS A CONTROLLED DOCUMENT.		DWN jr ruth 27FEB08	Tyco Electronics Corporation Harrisburg, PA 17105-3608	
DIMENSIONS: MM [INCHES]		CHK WJ VOCKROTH 08FEB09	NAME	
TOLERANCES UNLESS OTHERWISE SPECIFIED:		APVD JL MECKLEY 08FEB95	PRODUCT SPEC	
0 PLC ± -		108-11011		
1 PLC ± -		APPLICATION SPEC		
2 PLC ± -		114-2134		
3 PLC ± -		WEIGHT 100 GRAMS		
4 PLC ± -		A2 00779 C=55995		
ANGLES ± 5°		CUSTOMER DRAWING		
MATERIAL SEE TABLE		FINISH SEE TABLE		
		SCALE 2:1 SHEET 1 of 1 REV F		